

## DSP35

- ▶ 24 Digits LCD display
- ▶ 5 Inputs
- ▶ Auto-Tuning function
- ▶ SAW filters against Lte interferences
- ▶ A.C.G. in each filter
- ▶ 32 high selectivity digital filters
- ▶ DC powering by plug or coaxial\*
- ▶ Zamak chassis for high screening protection



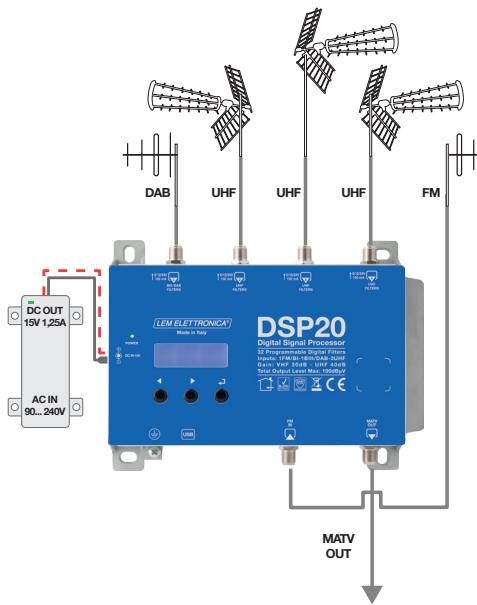
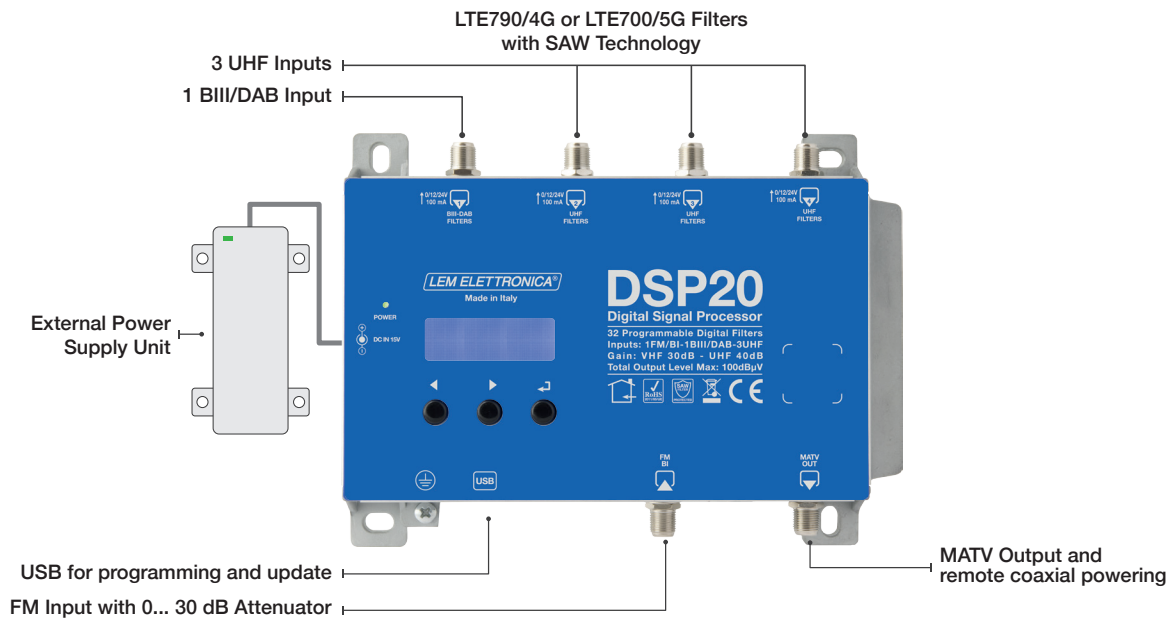
Programmable compact multi-input multiband amplifier to digitally filter, convert and equalize DVB-T / T2 channels. The built in high output amplifier allow the use in medium or large multi dwelling units.



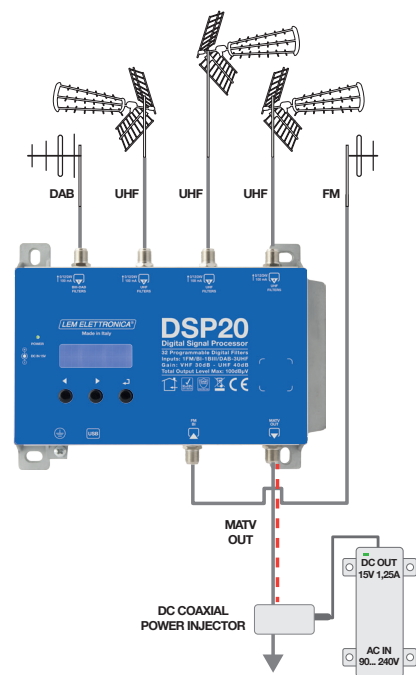
\* require DC coaxial injector sold separately

MODEL		DSP35-4G	DSP35-5G
NUMBER OF INPUTS	5	1 FM; 1 BIII/DAB; 3 UHF	
INPUTS FREQUENCY RANGE	MHz	FM (40... 108) BIII (170... 230) / DAB (170... 240) UHF (470... 790)	FM (40... 108) BIII (170... 230) / DAB (170... 240) UHF (470... 694)
LTE PROTECTION		LTE790	LTE700
SINGLE CHANNEL FILTERS		32	
NUMBER OF CHANNEL PER FILTERS		1... 2	
INPUT LEVEL RANGE	dBμV	FM 35... 90 - BIII/DAB 40... 110 - UHF... 45... 100	
BI/FM INPUT ATTENUATOR	dB	0/-12/-24	
BIII/DAB INPUT AMPLIFIER	dB	0/+20 (OFF/ON)	
UHF INPUT AMPLIFIER		0/+10 (OFF/ON)	
BIII/DAB - UHF INPUTS A.C.G. RANGE	dB	40 dB	
DIGITAL FILTERS SELECTIVITY	dB	35 @1MHz	
SELECTABLE FILTERS AMPLITUDE	MHz	6/7/8/9/10	
VHF GAIN	dB	50	
UHF GAIN	dB	60	
OUTPUT LEVEL RANGE	dBμV	90... 113	
BIII/DAB ADJUSTABLE SLOPE	dB	0... -10	
UHF ADJUSTABLE SLOPE	dB	0... -5	
MAX VHF-UHF OUTPUT LEVEL	dBμV	120 (IM3 DIN 45004B - 60 dBc)	
MAX OUTPUT LEVEL WITH 6 MUX	dBμV	113	
RETURN LOSS IN/OUT	dB	>12	
TEST OUTPUT		1 (-30 dB)	
USB CONNECTOR		USB 1.0 / 2.0 Type B	
REMOTE POWER SUPPLY VHF-UHF		12V / 24V 100 mA	
MAXIMUM CONSUMPTION		15Vcc 0,53A - 8W	
OPERATING TEMPERATURE	°C	-5... 50	
DIMENSIONS	mm	193 x 148 x 36	

# DSP35 Connections Schematic



DSP35 power supply through the DC input.



DSP35 power supply through the SMATV OUT.

## Three different programming option



### Direct Programming

All settings can be selected and adjusted with the easy to use built-in 24 digits display.



### Automatic programming

The Auto-tuning function scan and detect DVB-T/T2 signals from the VHF/UHF inputs and allocate a single digital filter for each channel.



### Applications Programming

With the user friendly application LEMGUI available for PC Windows and Android IOS devices all the DSP30 parameters can be set, stored and retrieved.