

DM200HD

✓ **4K UltraHD HDMI 2.2 Loop through**

✓ **High RF Output Level**

✓ **USB pen drive video player**



- Perfect image and audio synchronization
- RF Loop through 5... 2.200 MHz
- Video bit rate up to 28 Mbps
- Over 36 dB MER (Modulation Error Rate)
- Low consumption and energy saving function

Professional grade HDMI to DVB-T modulator with high output MER and RF level. The built-in HDMI loop circuitry allow the free pass through of 4K Ultra HD signals and scales to HD to 1080P the signal for the DVB-T to be distributed over coaxial cable.

WARRANTY **5** YEARS

Ready for UHDTV

MADE IN ITALY

ENCODER INPUT

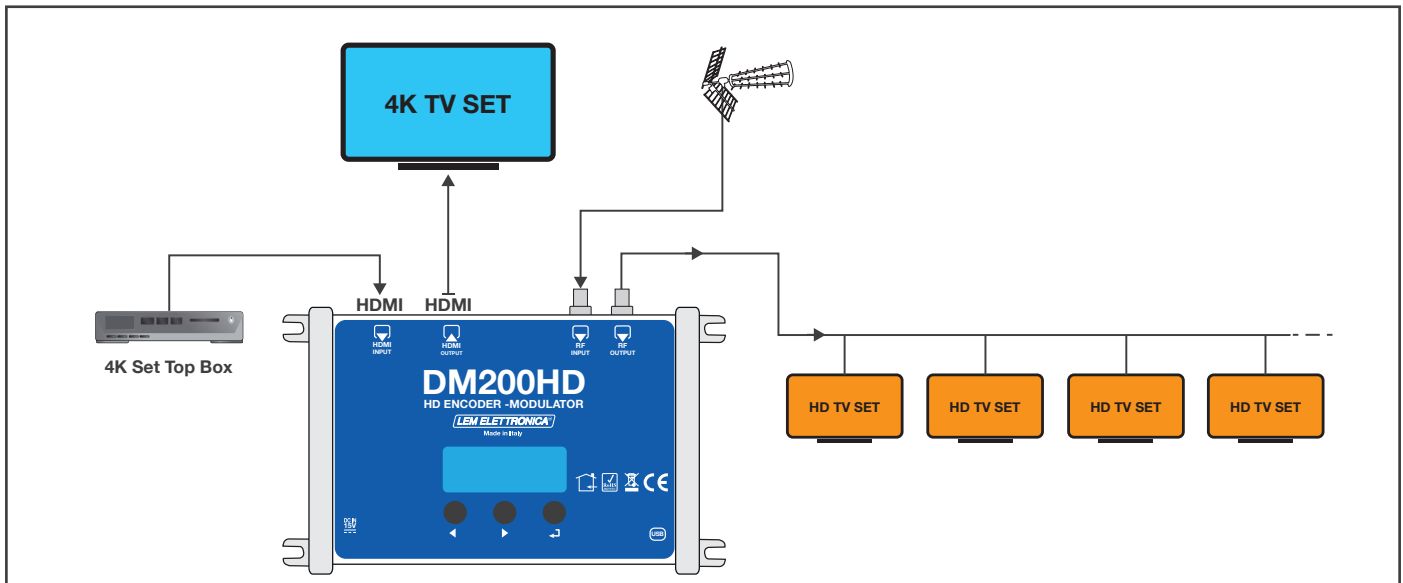
VIDEO ENCODING		H.264 MPEG
VIDEO INTERFACE		HDMI 2.2
VIDEO OUTPUT RESOLUTION MODES		576p - 720p - 1080p
VIDEO BIT RATE	Mbp/s	5-28
AUDIO COMPRESSION MODE		MPEG AC3 DTS AAC

RF OUTPUT

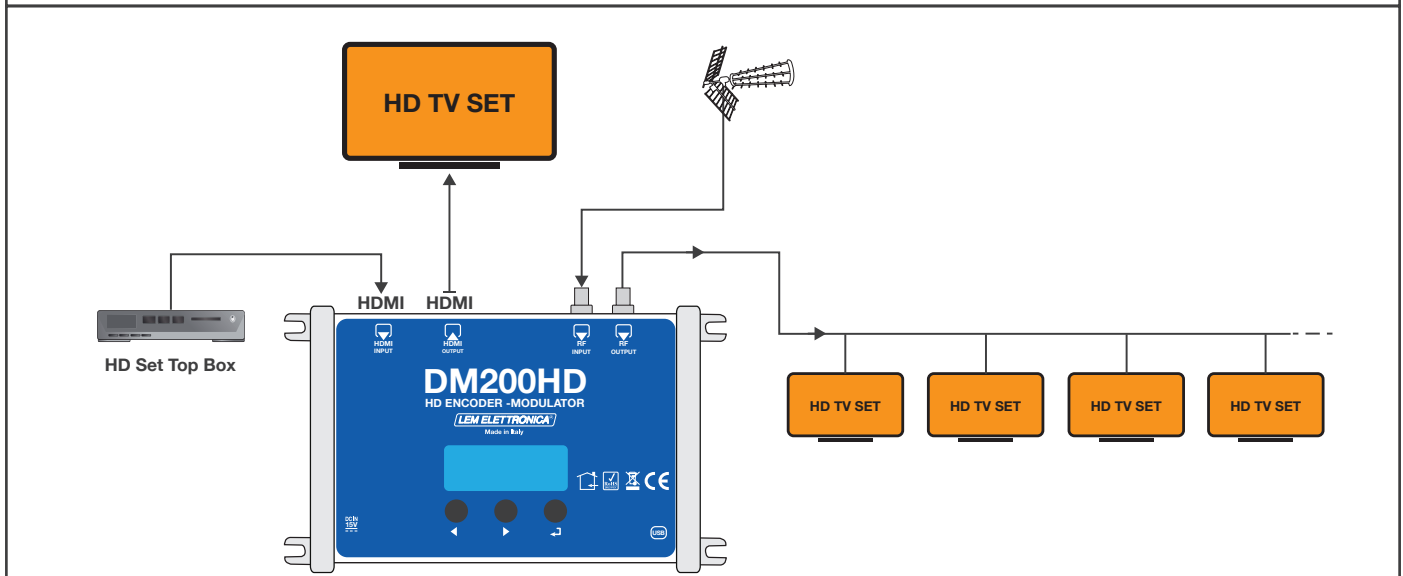
FREQUENCY RANGE	MHz	170... 230 / 470... 862
MER	dB	>36
RF OUTPUT LEVEL	dBμV	70... 100
RF LOOP PASS THROUGH		5... 2.200 MHz Loss ≤ 2
DVB-T		
CONSTELLATION - FEC		QPSK - 16QAM - 64QAM - 1/2 - 2/3 - 3/4 - 5/6 - 7/8
GUARD INTERVALL		1/4 - 1/8 - 1/16 - 1/32
MODULATION CARRIERS		2K/8K
DVB-C		
CONSTELLATION		16QAM - 32QAM - 64QAM - 128QAM -256QAM

GENERAL

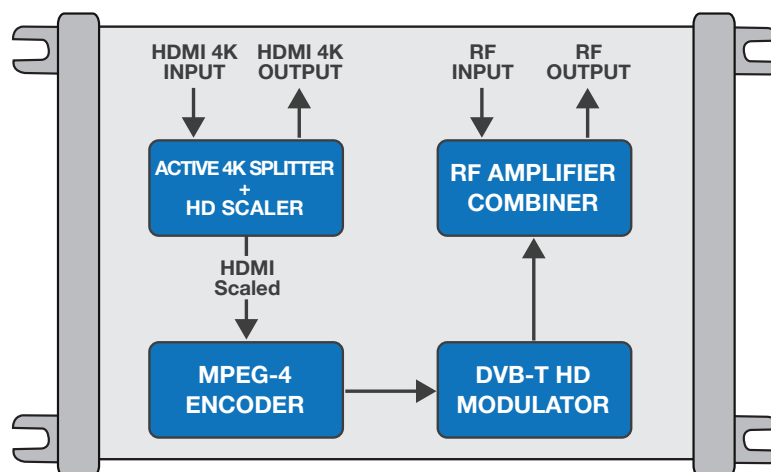
POWER SUPPLY	Volt	15VDC (External PSU 100-240VAC 50/60Hz)
POWER CONSUMPTION	W	4,8 Watt Max. / 3,5 Watt Energy saving mode
DIMENSIONS	mm	193x109x39h



HDMI 4K Ultra HD source with loop through to 4K Ultra HD TV Set and generation of a HDTV digital multiplex over coaxial cable.



HDMI 4 HD source with loop through to HD TV Set and generation of a HDTV digital multiplex over coaxial cable.



DM200HD BLOCK DIAGRAM