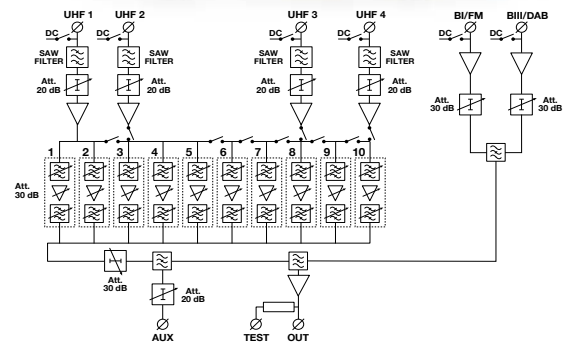


AT50SAW

- ▶ UHF inputs Lte protected by SAW FILTERS 470... 790 MHz
- ▶ Gain 50 dB / 128 dBμV**
- ▶ Low noise < 6dB
- ▶ AUTOLEVELING function for self-aligning of UHF clusters
- ▶ USER PASSCODE
- ▶ Programmable through unit key
- ▶ Pc Windows and Tablet Android programmable
- ▶ 10 UHF clusters 1... 6 channels
- ▶ 4 UHF inputs for 15 selectable configurations
- ▶ Die casting chassis



		AT50SAW				
NUMBER OF UHF INPUTS		4x (470... 790 MHz)				
NUMBER OF VHF INPUTS		1 BI/FM (40... 108 MHz) 1 BIII/DAB (170... 320 MHz)				
NUMBER OF AUX INPUTS		1 (40... 862 MHz)				
NUMBER OF OUTPUTS		1				
TEST OUTPUT		1 (-30 dB)				
NUMBER OF PROGRAMMABLE CLUSTERS		10				
NUMBER OF CHANNELS PER CLUSTER		1... 6 (8... 48 MHz) 60 channels				
INPUT CONFIGURATIONS		UHF1	UHF2	UHF3	UHF4	
		10	0	0	0	
		9	0	0	1	
		8	0	0	2	
		7	0	3	0	
		6	0	4	0	
		5	0	5	0	
		7	0	2	1	
		6	0	3	1	
		6	0	2	2	
		5	0	4	1	
		5	0	3	2	
		2	5	2	1	
		2	4	3	1	
		2	4	2	2	
		2	3	3	2	
INPUT ATTENUATORS VHF-UHF	dB	0... -20				
CLUSTER GAIN ADJUSTER	dB	0... -30				
MAX UHF INPUT LEVEL	dBμV	100* / 105**				
VHF-UHF GAIN	dB	50				
MAX OUTPUT LEVEL VHF-UHF	dBμV	123*/128**				
NOISE FIGURE	dB	VHF < 6,0 UHF < 6,0				
CLUSTERS SLECTIVITY +/- 10 MHZ	dB	12				
RETURN LOSS IN/OUT	dB	>12				
REMOTE POWER SUPPLY VHF-UHF INPUTS		12V/200 mA 24V/100 mA				
POWER SUPPLY		230 VAC +/-10% 16W				
DIMENSIONS	mm	320 x 260 x 60				

*IM3 DIN 45004B - 60 dBc (analogic channels)

**IM3 DIN 45004B - 35 dBc (digital channels)

