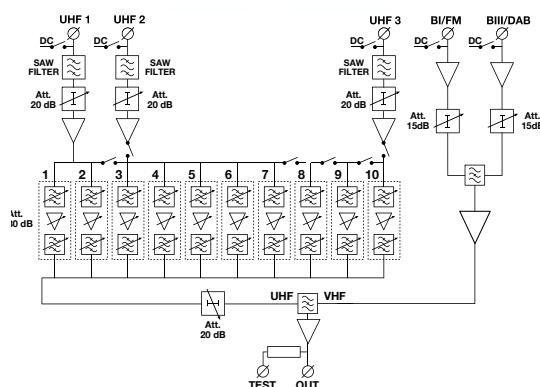


AT40SAW

- ▶ UHF inputs Lte protected by SAW FILTERS 470... 790 MHz
- ▶ Gain 40 dB / 105 dBμV**
- ▶ Low noise < 6dB
- ▶ AUTOLEVELING function for self-aligning UHF clusters
- ▶ USER PASSCODE
- ▶ Programmable through unit key
- ▶ Pc Windows and Tablet Android programmable
- ▶ 10 UHF clusters 1... 6 channels
- ▶ 3 UHF inputs for 9 selectable configurations
- ▶ Die casting chassis



AT40SAW					
NUMBER OF UHF INPUTS	3x (470... 790 MHz)				
NUMBER OF VHF INPUTS	1 BI/FM (40... 108 MHz) 1 BIII/DAB (170... 320 MHz)				
NUMBER OF OUTPUTS	1				
NUMBER OF PROGRAMMABLE CLUSTERS	10				
NUMBER OF CHANNELS PER CLUSTER	1... 6 (8... 48 MHz)				
INPUT CONFIGURATIONS		UHF1	UHF2	UHF3	
		10	0	0	
		9	0	1	
		8	0	2	
		7	0	3	
		6	0	4	
		2	6	2	
		2	5	3	
		2	4	4	
		2	7	1	
INPUT ATTENUATORS VHF-UHF	dB	VHF 0...-15 UHF 0... -20			
CLUSTER GAIN ADJUSTER	dB	0... -30			
MAX UHF INPUT LEVEL	dBμV	100* / 105**			
UHF GAIN	dB	35			
VHF GAIN	dB	40			
MAX OUTPUT LEVEL VHF-UHF	dBμV	119*/124**			
NOISE FIGURE	dB	VHF < 6,0 UHF < 6,0			
CLUSTERS SLECTIVITY +/- 10 MHZ	dB	12			
RETURN LOSS IN/OUT	dB	>12			
TEST OUTPUT		1 (-30 dB)			
REMOTE POWER SUPPLY VHF-UHF INPUTS		12V / 200 mA 24 V / 100 mA			
POWER SUPPLY		230 VAC +/-10% 12W (External Adapter DC 7,5 Volt 2A)			
DIMENSIONS	mm	247 x 200 x 40			

