

Multiband amplifier MBJ2510

MBJ Series



Multiband amplifier to amplify and mix signals from several sources. Two possible versions, at 112/113dB μ V and at 117dB μ V, to be used in small and medium networks.

Metal Housing, fully shielded, with plastic cover and F connectors. Compatible with DTT signals in COFDM modulation.

Key points

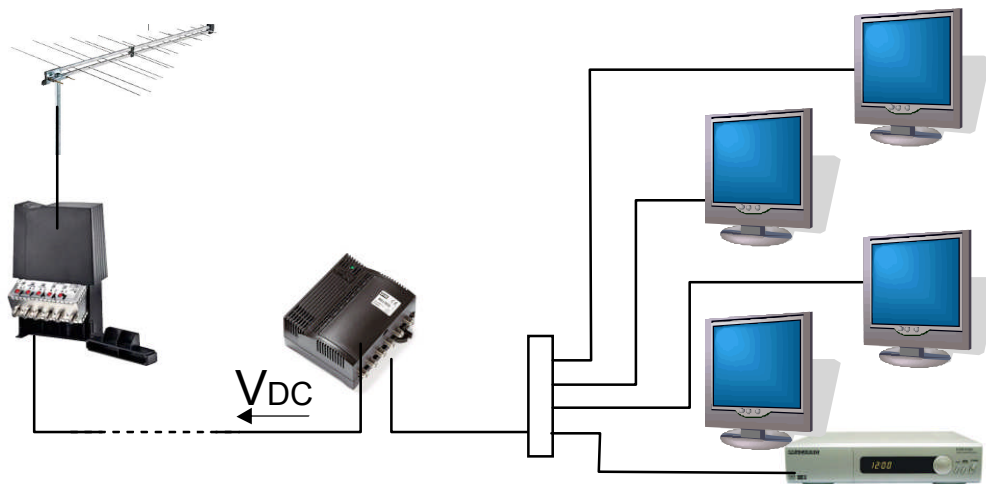
- Separate amplification VHF and UHF bands
- Switching mode power supply
- High output level
- Low noise figure
- Completely shielded
- Quick and easy installation

			MBJ2510
Fracarro Code			223301
Inputs	no.		1
	Input 1	Band	III + IV + V
Outputs	no.		1
INPUT 1 Band III + IV +V			
Bandwidth	MHz	174-230 + 470-590 + 610-862	
Gain	dB	21, 25, 25	
Gain adjustment	dB	20, 20,20	
Noise fFigure	dB	4 , 8, 8	
Maximum output level (IM3 -60dBc 3 tones)	dB μ V	109, 113	
Maximum output level (IM3 -35dBc 2 tones)	dB μ V	116, 120	
Only DTT signals			
Main Features			
Mains	Vac, Hz	220-240,50-60	
Remote power	V	12, 100mA max.	
Power consumption	W	5	
Connectors	type	F female	
Operating temperature	°C	-10 to +55	
IP protection		IP20	

Fracarro Code	Item	Packaging	EAN Code	Quantity	Dimensions	Net weight	Total weight
				Pcs	mm	Kg	Kg
223301	MBJ2510	Single	8016978065769	1	145x70x130	0.470	0.470

Standard conformity EN 50083-2 (89/336/EEC-EMC)

Installation example



Fracarro Radioindustrie S.p.A.
via Cazzaro, 3
31033 Castelfranco Veneto (TV)
Italy
tel. +39 0423 7361
fax +39 0423 736220
www.fracarro.com
info@fracarro.com

Fracarro (UK) Ltd
Unit A.
Ibex House, Keller Close
Kiln Farm, Milton Keynes.
MK11 3LL
UK
Tel. +44(0)1908 571571
Fax +44(0)1908 571570

Fracarro Ibérica
Polígono Táctica "Ciudad
de los negocios"
C/2A, nº 4 - 46980
Paterna - Valencia
Tel. +34/961340104
Fax. +34/961340691

Fracarro France S.A.S.
14 bis rue du Retrait
92158 Suresnes Cedex
France
Tel. +33 1 47283400
Fax +33 1 47283421

Fracarro Tecnologia e
Antenas de Televisão Lda
Rua Alexandre Herculano, nº1-1ºB
Edifício Central Park
2795-242 Linda-a-Velha
Portugal
Tel.: +351214156800
Fax: +351214156809