

## Mast Amplifier 12 Volts MAP206

## MAP SERIES



Dual input amplifier of the MAP family suitable to amplify and mix together signals coming from different aerial on medium and small installation.

The product has a metal chassis with F female connector.

The innovative plastic housing system locks the cover in place and rotates the case to guarantee safe and quick installation. Adjustable plastic strap for mast mounting  $\varnothing$  60mm max.

### Key point

- Double input for VHF and UHF band
- High gain
- Gain Adjustment
- High output level
- Low Noise figure
- Completely shielded
- Simple and easy installation
- HD compliant

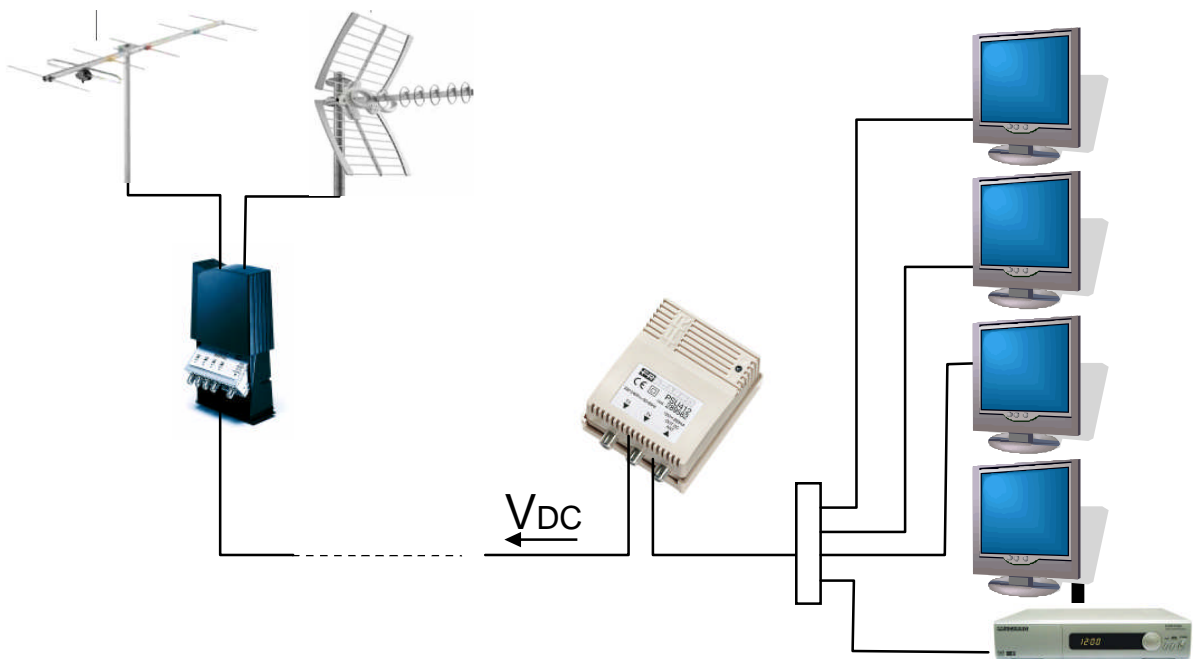
|   |            |   | MAP206 |
|---|------------|---|--------|
| Fracarro Code                             |            |   | 223150 |
| Inputs                                    | n.°        | 2   |        |
|   | Input 1    | Band  | VHF    |
|   | Input 2    | Band  | UHF    |
| Output                                    | n.°        | 1   |        |
| <b>Input 1 VHF Band</b>                   |            |   |        |
| Bandwidth                                 | MHz        | 47 ÷ 230 (FM band can be filtered via jumper) |        |
| Gain                                      | dB         | 35  |        |
| Gain Adjustment                           | dB         | 15  |        |
| Noise Figure                              | dB         | 5   |        |
| Maximum output Level (IM3 -60dBc 3 tones) | dB $\mu$ V | 108   |        |
| Maximum output level (IM3 -35dBc 2 tones) | dB $\mu$ V | 115   |        |
| Only DTT signals                          |            |   |        |
| <b>Input 2 UHF Band</b>                   |            |   |        |
| Bandwidth                                 | MHz        | 470 ÷ 862                                     |        |
| Gain                                      | dB         | 36  |        |
| Gain Adjustment                           | dB         | 15  |        |
| Noise Figure                              | dB         | 5   |        |
| Maximum output Level (IM3 -60dBc 3 tones) | dB $\mu$ V | 108   |        |
| Maximum output level (IM3 -35dBc 2 tones) | dB $\mu$ V | 115   |        |
| Only DTT signals                          |            |   |        |
| <b>Main Features</b>                      |            |   |        |
| Supply Voltage                            | V          | 12  |        |
| Current consumption                       | mA         | 75  |        |
| Connectors Type                           |            | F female                                      |        |
| Dimensions (WxHxT)                        | mm         | 107x60x95                                     |        |
| Working Temperature                       | °C         | -10 ÷ +55                                     |        |



| Fracarro Code | Item   | Packaging | EAN code      | Quantity | Dimensions  | Net Weight | Total weight |
|---------------|--------|-----------|---------------|----------|-------------|------------|--------------|
|               |        |           |               | Pcs      | mm          | kg         | kg           |
| 223150        | MAP206 | Single    | 8016978041091 | 1        | 95x60x107   | 0,190      | 0,190        |
|               |        | Multiple  | -             | 10       | 300x190x107 | 1,900      | 1,910        |

Standard conformity EN 50083-2 (89/336/EEC-EMC)

## Installation example



Fracarro Radioindustrie S.p.A.  
via Cazzaro, 3  
31033 Castelfranco Veneto (TV)  
Italy  
tel. +39 0423 7361  
fax +39 0423 736220  
www.fracarro.com  
info@fracarro.com

Fracarro (UK) Ltd  
Unit A.  
Ibex House, Keller Close  
Kiln Farm, Milton Keynes.  
MK11 3LL  
UK  
Tel. +44(0)1908 571571  
Fax +44(0)1908 571570

Fracarro Ibérica  
Polígono Táctica "Ciudad  
de los negocios"  
C/2A, nº 4 - 46980  
Paterna - Valencia  
Tel. +34/961340104  
Fax. +34/961340691

Fracarro France S.A.S.  
14 bis rue du Retrait  
92158 Suresnes Cedex  
France  
Tel. +33 1 47283400  
Fax +33 1 47283421

Fracarro Tecnologia e  
Antenas de Televisao Lda  
Rua Alexandre Herculano, nº1-1ºB  
Edifício Central Park  
2795-242 Linda-a-Velha  
Portugal  
Tel.: +351214156800  
Fax: +351214156809