

Home Fibre

OPT-TX-DT, OPT-RX-DT Quad,
OPT-RX- DT Quattro



Fracarro innovative home fibre optic system has been designed for its simplicity of installation from the head end to the wall outlet. The system uses a conventional LNB and dish assembly requiring no special optical alignment tools. It is capable of carrying all satellite and terrestrial signals through a single 9/125 glass fibre. Additional transmitters can be cascaded using a standard 5 core co-axial back bone giving greater flexibility in system design to supply a large number of outlets.

Main Specifications

- Installation using a standard LNB and dish
- AGC on transmitters enables the use of several different diameter dishes.
- Cascadable solution similar to MSW distribution
- Up to 21dB optical distribution loss
- Quick and easy to install
- Complete terrestrial bandwidth

Home fibre Transmitter OPT-TX-DT		
Code		270694
RF Inputs	No.	5(4 SAT + 1TERR)
RF Outputs	No.	7 (4 SAT + 1TERR + 2TEST)
Optical output	No.	1 SC/APC
SAT Input		
Bandwidth	MHz	950 - 2150
Connectors type		F Female
Input Return loss	dB	10
Trunk line insertion loss	dB	<2
Input Level	dBuV	69 - 86
TV Input		
Bandwidth	MHz	87 - 862
Connectors type		F Female
Input Return loss	dB	10
Trunk line insertion loss	dB	1
Input Level	dBuV	80@10ch
Test outputs		
Bandwidth	MHz	87 - 862 / 950 - 2150
Connectors type		F Female
Input Return loss	dB	10
Test signal level	dBuV	59

Optical output		
Connectors type		SC/APC
Wavelength	nm	1310
Optical power	dBm	7 (5mW)
Optical return loss	dB	>45
Safety class		1M
Main features		
Mains	Vac/Hz	184 – 264 / 50 - 60
Power consumption	W	15
LNB remote feeding	mA	200@14V (4 SAT connectors)
Operating temperature	°C	-5 to +55
AGC Dynamics	dB	20
LEDs		Green led power supply RED Led Laser extra current
Standards Conformity		CEI EN 50083-2 EN60065

Code	Item	Packing	EAN Code	Quantity	Dimensions	Net weight	weight
				Pcs	mm	kg	kg
270694	OPT TX-DT	Single	8016978091829	1	230x230x50	1.7	1.9

Home fibre QUAD Receiver OPT-RX-DT

Code		270693
Optical Input	No.	1 SC/APC
RF Outputs	No.	4 TERR+SAT
Optical Input		
Optical connector		SC/APC
Wavelength	nm	1310
Optical return loss	dB	>45
Max optical input power	dB	-8dBm
RF Outputs		
Bandwidth	MHz	88 - 862 / 950 - 2150
Connectors type		F Female
Return loss	dB	10
Output level @ 21dB optical attenuation	dBuV	77 (TV) - 80 (SAT) overall power
Output control		DiSEqC
Main features		
Mains	Vac/Hz	184 - 264 / 50 - 60
Power consumption	W	7
Operating temperature	°C	-5 to +50
LEDs		Green led power supply
Standard conformity		CEI EN 50083-2 EN60065

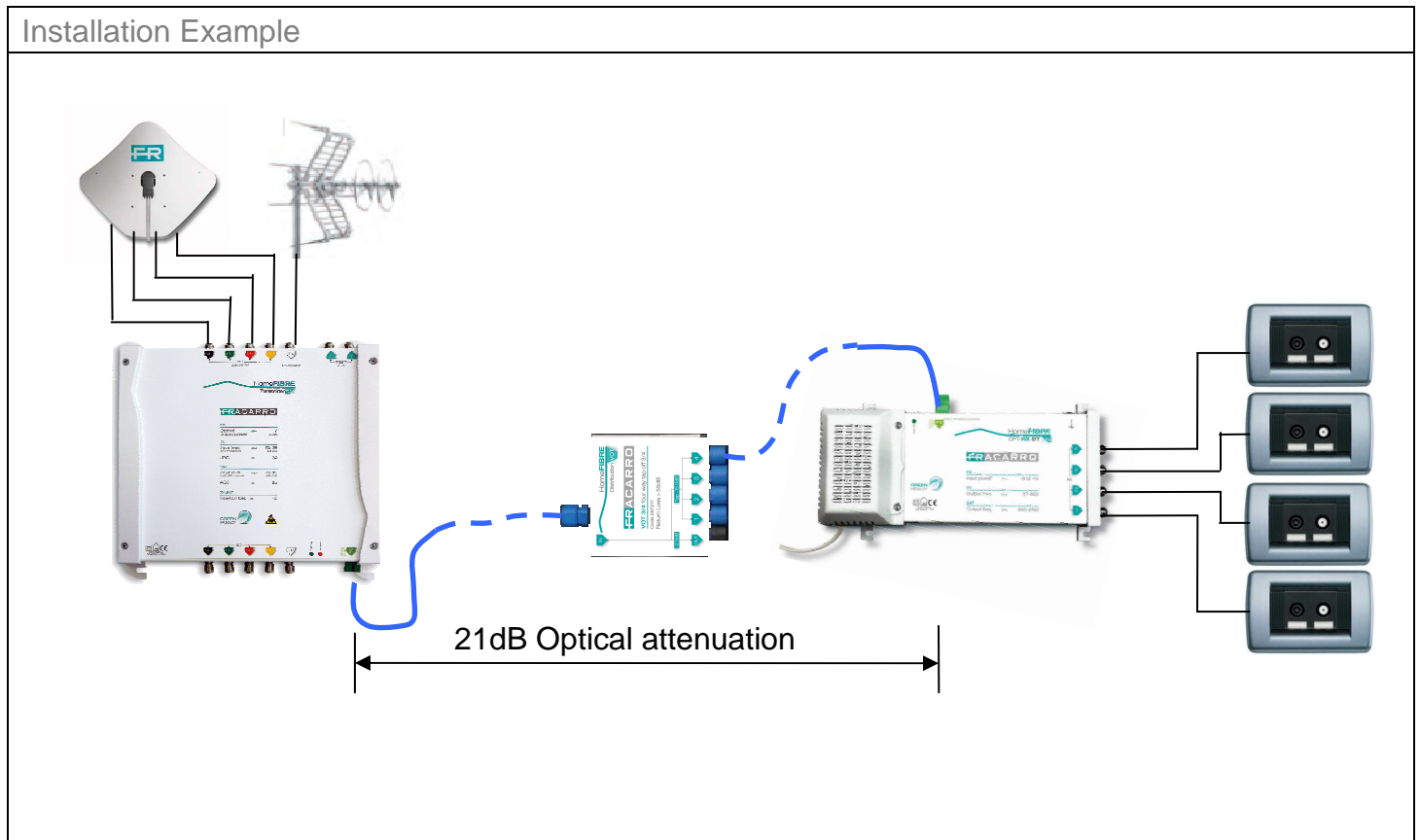
Code	Item	Packing	EAN code	Quantity	Dimensions	Net weight	weight
				Pcs	mm	kg	kg
270693	OPT RX-DT	Single	8016978091812	1	250x140x50	0.7	0.8

Home fibre QUATTRO Receiver OPT-RX-Quattro

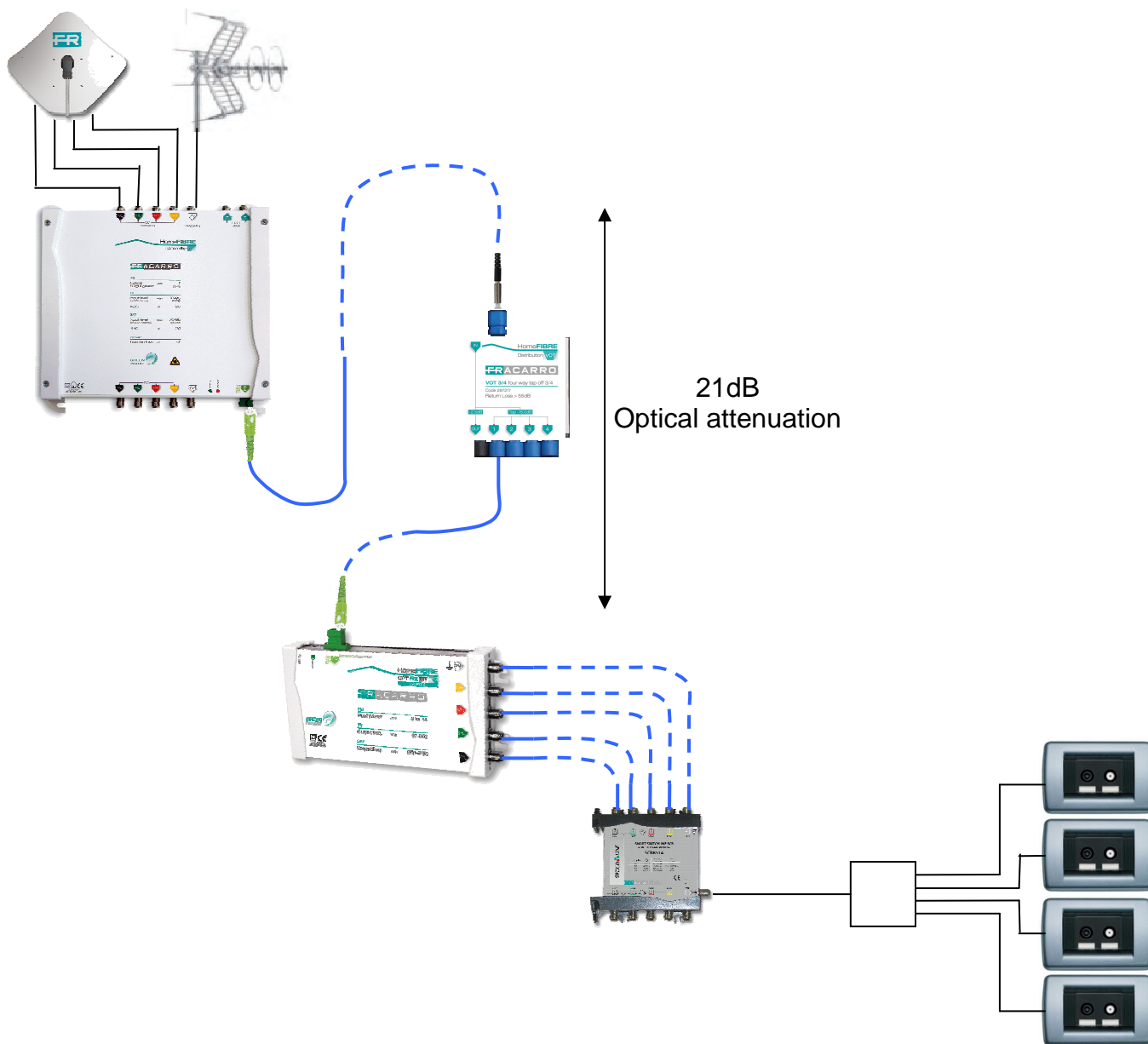
Code		270695
Optical Input	No.	1 SC/APC
RF Outputs	No.	4 SAT (VL, HL, VH, HH) + TV
Optical Input		
Optical connector		SC/APC
Wavelength	nm	1310
Optical return loss	dB	>45
Max optical input power	dBm	-8
RF Outputs		
Bandwidth	MHz	88 - 862 / 950 - 2150
Connectors type		F Female
Return loss	dB	10
Output level @ 21dB optical attenuation	dBuV	82 (TV) 88 (SAT) overall power
Main features		
Power supply	V	14/18 all outputs
Current consumption	mA	330@18V, 380@14V
Power consumption	W	7
Operating temperature	°C	-5 to +50
LEDs		Green led power supply
Standard conformity		CEI EN 50083-2

Code	Item	Packing	EAN Code	Quantity	Dimensions	Net weight	Weight
				Pcs	mm	kg	kg
270695	OPT-RX- Quattro	Single	8016978092437	1	250x140x50	0.7	0.8

Installation Example



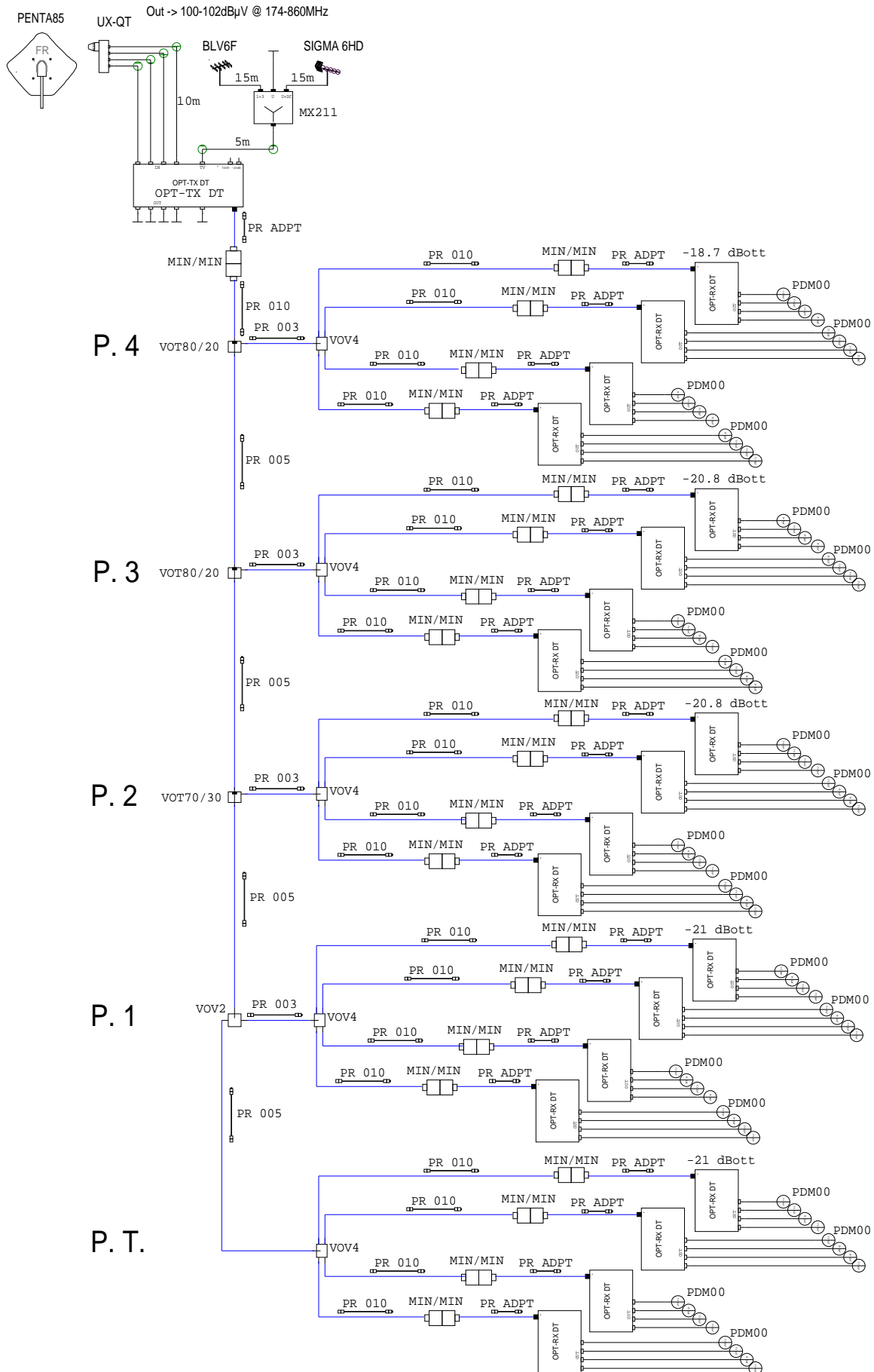
Installation example OPT-RX-Quattro



Installation example



5 Floors / 16 outlet per floor



OPT-RX-Quattro Installation example

